

# E13A

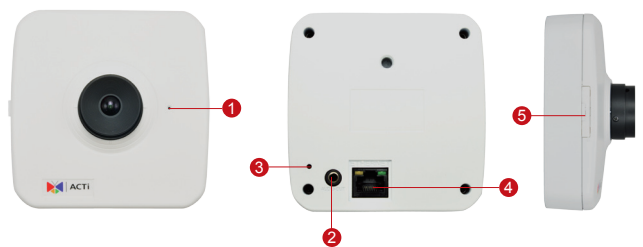
## 5MP Cube with Basic WDR, Fixed Lens



\* The bracket is included.

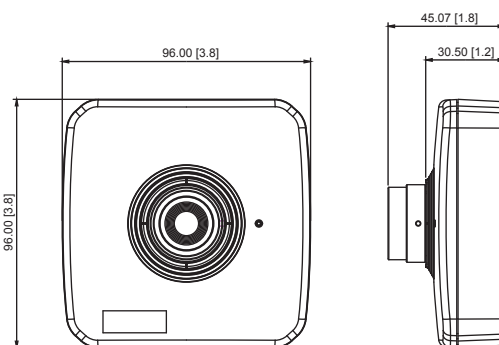
- 5 Megapixel with 1080p
- Fixed Lens with f2.8mm / F2.0
- Basic WDR (74 dB)
- 30 fps at 1920 x 1080
- Wide Angle

### PHOTO INDICATION



- 1 Built-in Microphone
- 2 Audio Output
- 3 Reset Button
- 4 Ethernet Port
- 5 Memory Card Slot

### DIMENSION DIAGRAM



Unit: mm [inch]

### ACCESSORY OPTIONS

#### Lens

PLEN-0101



Fixed focal f4.2mm, fixed iris F1.8, manual focus, D/N, CS mount lens, 62°

**PRODUCT SPECIFICATION****E13A****• Device**

Device Type	Cube Camera
Image Sensor	Progressive Scan CMOS
Sensor Size	1/3.2"
Effective Pixels	2592 (H) x 1944 (V) (5.04 MP)
Day / Night	No
Superior Low Light Sensitivity	No
Minimum Illumination	Color: 0.1 lux at F2.0 (30 IRE, 2400 °K)
Mechanical IR Cut Filter	No
IR Sensitivity Range	No
Electronic Shutter	1/5 ~ 1/2,000 sec (manual mode); 1/5 ~ 1/10,000 sec (auto mode)
TV Lines	1350
S/N Ratio	52 dB

**• Lens**

Focal Length / Aperture	Fixed focal, f2.8 mm / F2.0
Iris	Fixed iris
Focus	Manual focus
Lens Mount	CS mount (interchangeable lens)
Horizontal Viewing Angle	92.6°

**• Video**

Compression	H.264 HP, MJPEG
Max. Frame Rate vs. Resolution	15 fps at 2592 x 1944; 15 fps at 2048 x 1536; 30 fps at 1920 x 1080; 30 fps at 1280 x 720; 30 fps at 800 x 600; 30 fps at 640 x 480; 15 fps at 320 x 240
Multi-Streaming	Simultaneous dual streams based on two configurations
Bit Rate	28 Kbps - 6 Mbps (per stream)
Bit Rate Mode	Constant, Variable
Image Enhancement	Basic WDR (74 dB); White balance: automatic, hold, and manual; Brightness; Contrast; Sharpness (auto); Auto gain control; Digital noise reduction; Flickerless
Privacy Mask	4 configurable regions
Text Overlay	User defined text on video
Image Orientation	Image flip and mirror

**• Audio**

Compression	8kHz, Mono, PCM, 16 bit encoding; G.711
Audio-In	Built-in microphone
Audio-Out	3.5mm phone jack

**• Network**

Protocol & Service	TCP, UDP, HTTP, HTTPS, DHCP, PPPoE, RTP, RTSP, IPv4, IPv6, DNS, DDNS, NTP, ICMP, ARP, IGMP, SMTP, FTP, UPnP, SNMP, Bonjour
Ethernet Port	1, Ethernet (10/100 Base-T), RJ-45 connector
Security	IP address filtering; HTTPs encryption; Password protected user levels; Anonymous login; IEEE802.1X network access control

**• Alarm**

Alarm Trigger	Video motion detection (3 regions)
Alarm Response	Notify control center; Change camera settings; Command other devices; E-mail notification with snapshots; Save video or snapshot to local storage; Upload video or snapshot to FTP server

**• Interface**

Local Storage	MicroSDHC/MicroSDXC memory card slot (card not included)
---------------	--

**• General**

Power Source / Consumption	PoE Class 2 (IEEE802.3af) / 3.552 W
Weight	241 g (0.53 lb)
Dimensions (W x H x D)	96mm x 96mm x 45.07mm (3.8" x 3.8" x 1.8")
Bundled Accessories	Bracket
Mount Type	Wall, Ceiling
Starting Temperature	-10°C ~ 45°C (14°F ~ 113°F)
Operating Temperature	-10°C ~ 45°C (14°F ~ 113°F)
Operating Humidity	10% ~ 85% RH
Approvals	CE (EN 55022 Class B, EN 55024), FCC (Part15 Subpart B Class B)

**• Integration**

Unified Solution	Fully compatible with ACTi software
ISV Integration	Software Development Kit (SDK) available; ONVIF compliant
Firmware Access Browser	Microsoft Internet Explorer 8.0 or newer (full functionality) Safari with QuickTime installed, and other browsers with VLC installed (partial functionality)